

WINCH 50

TECHNICAL DATA

- Item No. :245
- Power Supply :210-240V AC 50-60Hz
- Power Consumption :500 W
- Power Plug :Powercon NAC3MPA-1
- Control Signal :DMX 512
- DMX Channels :6 channels.
- DMX Plug :XLR 5pole Male & Female
- Lifting Height :12.5 m. 41 ft.
- Lifting Capacity :50 kg. 110 Lbs.
- Lifting Speed :MIN 0.091m/s; MAX 0.45m/s
- Lifting Wire :3 mm Galv. Steel wire MBL 589 kg.
- Wire Lifetime :Refer to users manual
- Min. Load :5 kg. 11 lbs.
- Noise Emission :50 dB
- Amb. Temperature Range :0 – 40 °C / 32 – 104 °F
- Net Weight :30 kg. 66 lbs.
- Mounting Clamp :Slim eye coupler (Max load: 300 kg)
- Motor :230 V AC, 0.55 kW 2800 rpm
- Winch Duty Cycle :S3 30%

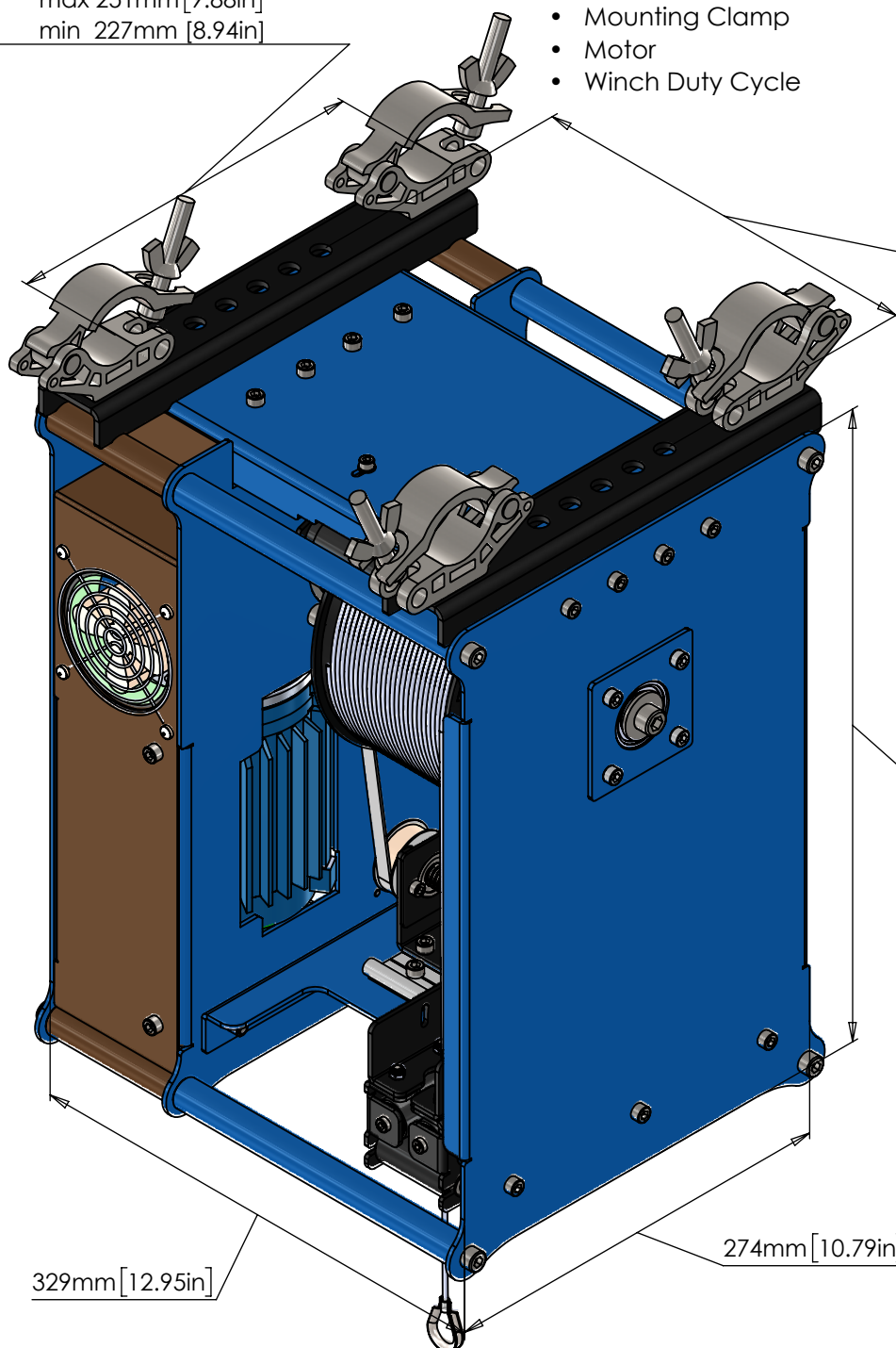
ADJUSTABLE MOUNTING BRACKET*
max 251mm [9.88in]
min 227mm [8.94in]

MOUNTING BRACKET
273mm [10.75in]

435mm [17.13in]

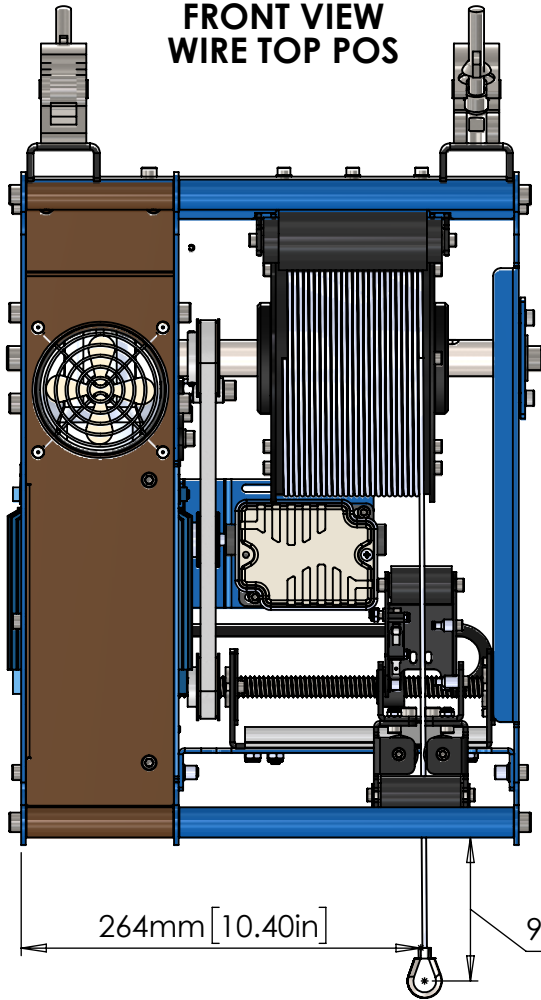
329mm [12.95in]

274mm [10.79in]

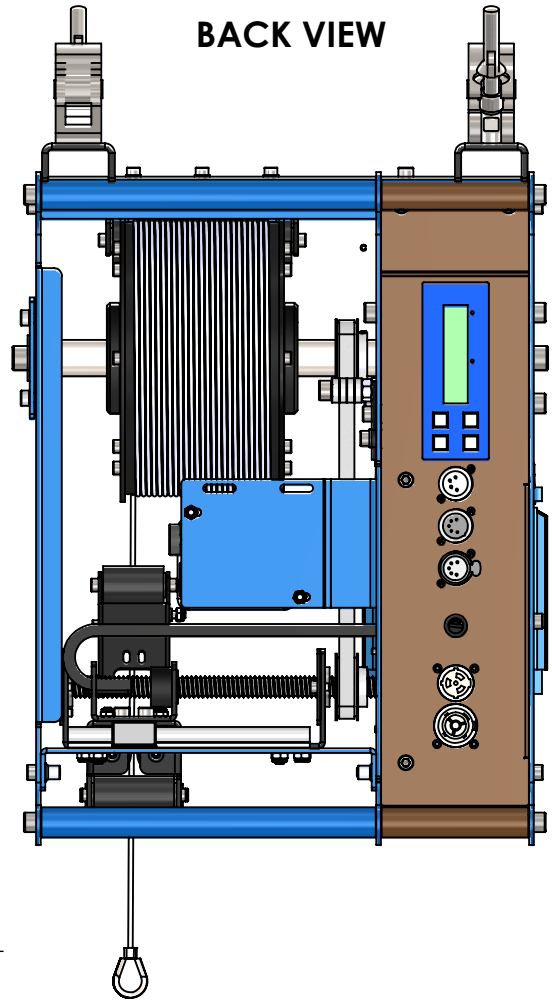


*CUSTOMIZABLE MOUNTING CLAMP
TO FIT STANDARD TRUSSES

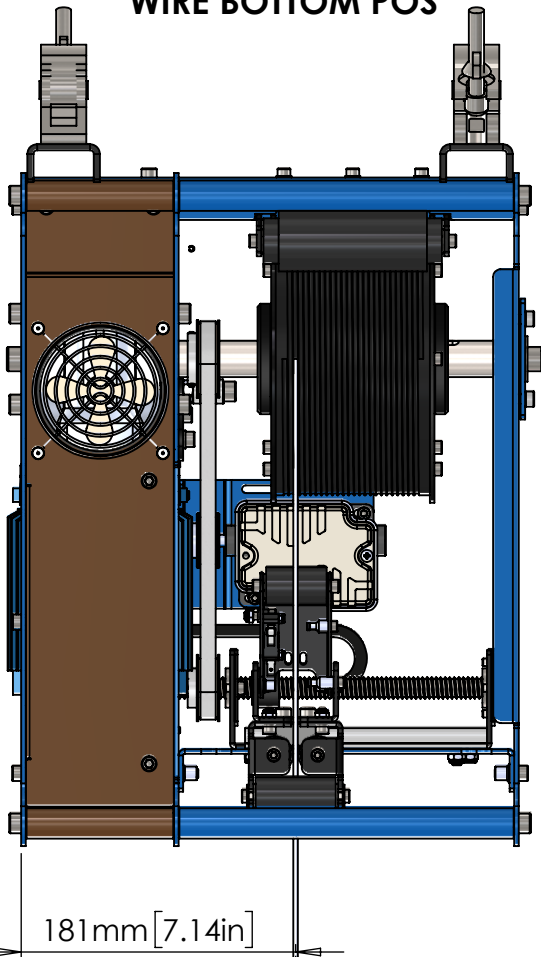
FRONT VIEW
WIRE TOP POS



BACK VIEW



FRONT VIEW
WIRE BOTTOM POS



SIDE VIEW

