

Trackrunner Upright

Item no .356

TECHNICAL DATA

MODEL: Trackrunner Upright

ITEM NO.: 356

DIMENSIONS (L×W×H): 224 x 239 x 308 mm / 8.82 × 9.06 × 12.13 in.

POWER SUPPLY: 200-240V AC 50-60 Hz.

POWER CONSUMPTION: 250 Watt.

POWER INLET/OUTLET: Neutrik powerCON TRUE1 NAC3PX (F/M)

DMX CONTROL SIGNAL: DMX 512 1990 + DMX512A / 6 channels used.

DMX CONNECTION: 5 pole XLR, male & female

LIFTING CAPACITY: 20 kg (44 lb)

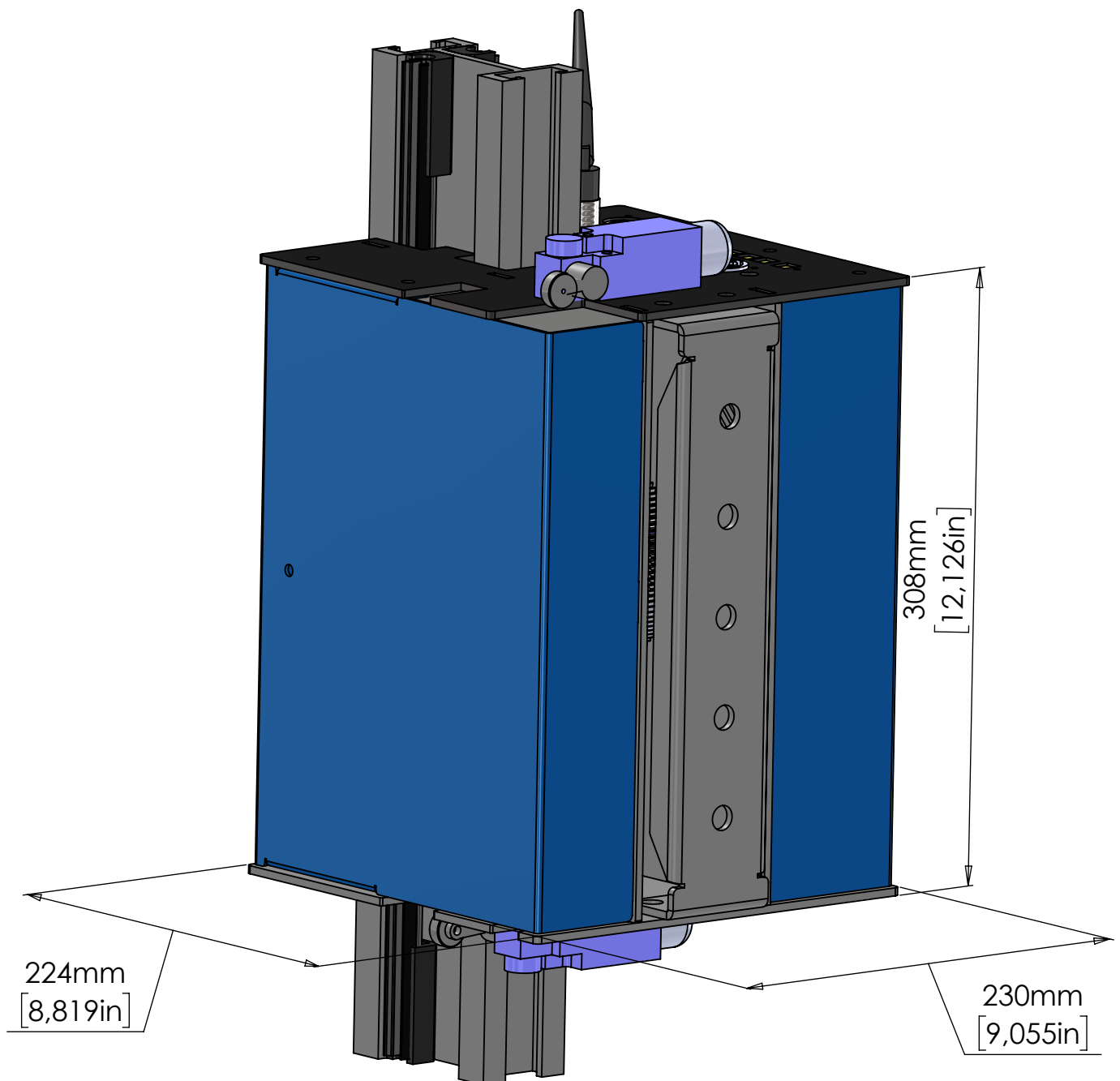
LIFTING SPEED: 0.3 m/s

NOISE EMISSION (AT 1 m): ~50 dB

AMBIENT TEMPERATURE: 0-40°C (32-104°F)

OWN WEIGHT: 7 kg (15.44 lb)

MOTOR: 24V DC, 250 Watt



Trackrunner Upright

Item no

FRONT VIEW

SIDE VIEW

TOP VIEW

BACK VIEW