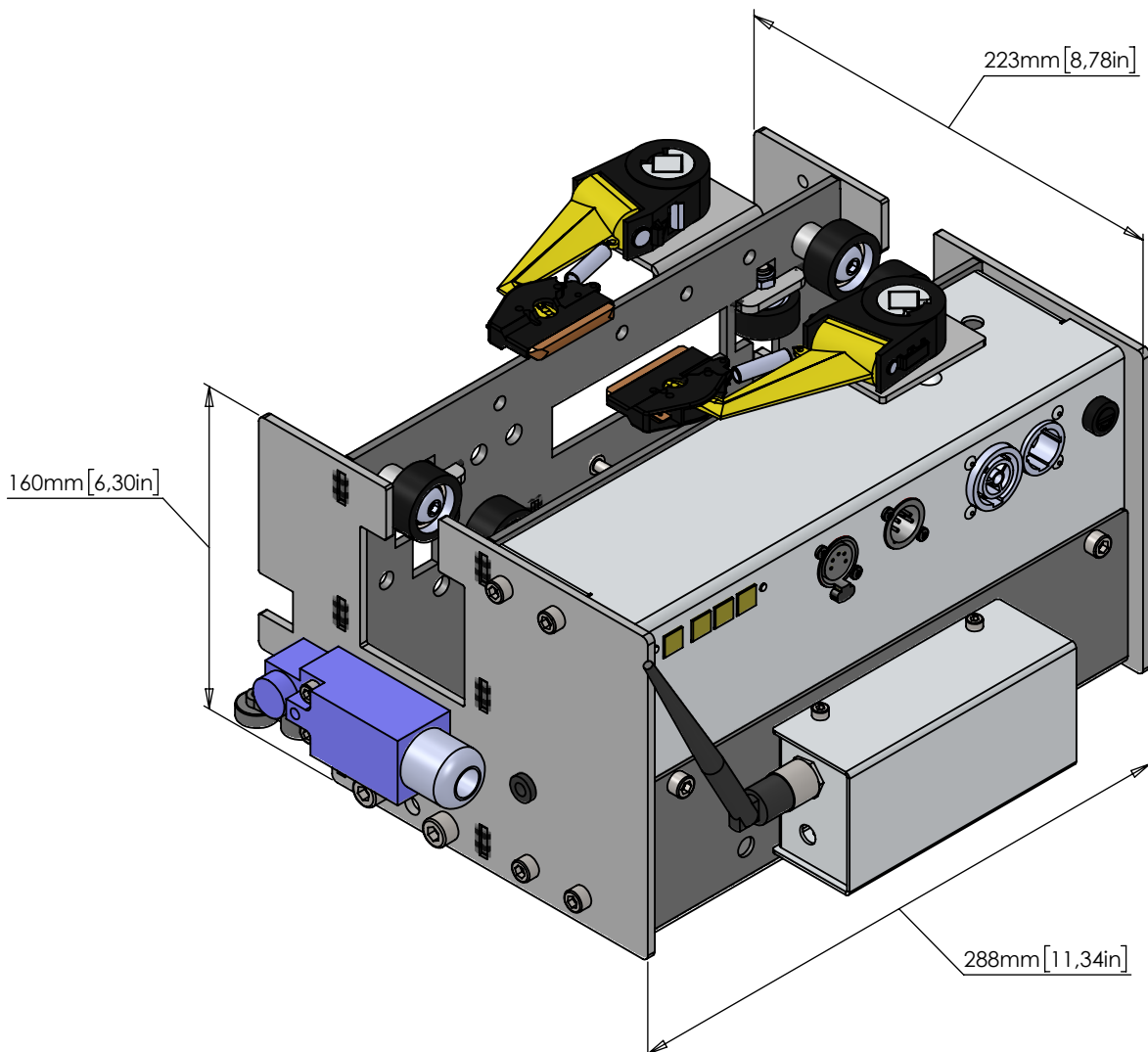


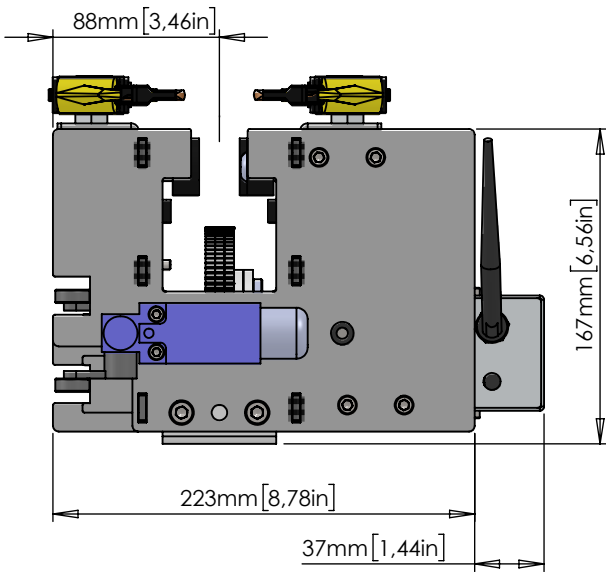
Track Runner

TECHNICAL DATA

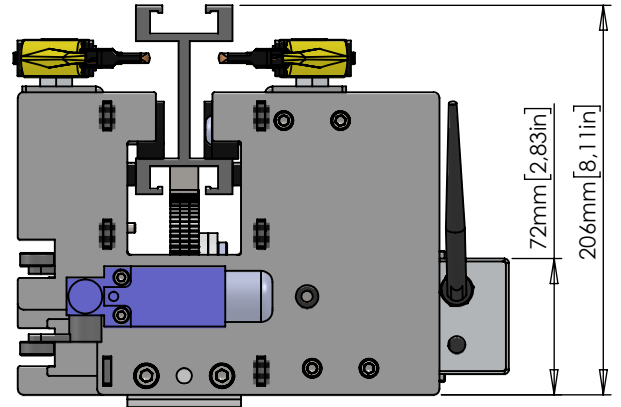
- Item No. :352
- Power Supply :230V AC 50-60Hz
- Power Consumption :Max 12W
- Power Plug :Powercon NAC3PX
- Control Signal :DMX 512
- DMX Channels :6 Channels
- DMX Plug :5 pole XLR, In & Link
- Max lifting capacity :100kg
- Max pulling capacity :500kg
- Max Speed :slow motor 0.3m/s (0.98ft/s), fast motor 0.54m/s (1.77ft/s)
- Minimum Speed :slow motor 0.05m/s (0.16ft/s), fast motor 0.09m/s (0.3ft/s)
- Noise emission :50dB 1 meter from Trackrunner
- Weight :10.4kg (22.9 lbs)



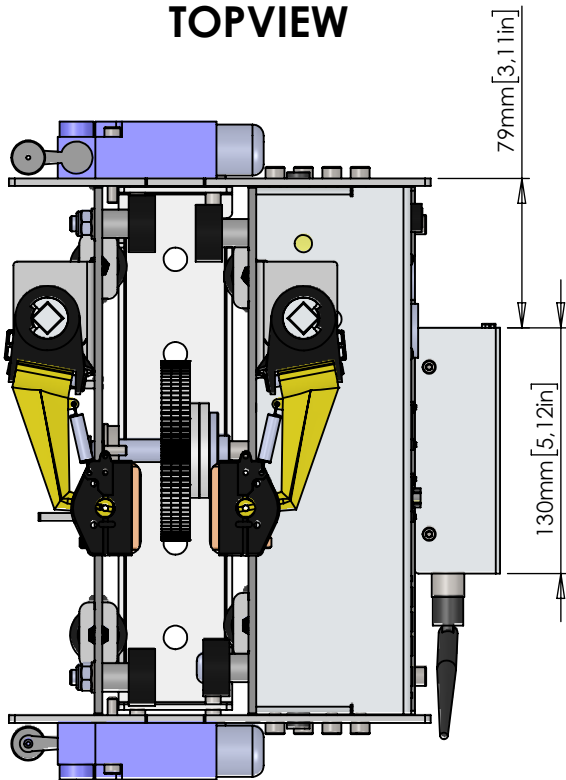
FRONT VIEW



FRONT VIEW WITH RAIL



TOPVIEW



SIDEVIEW

