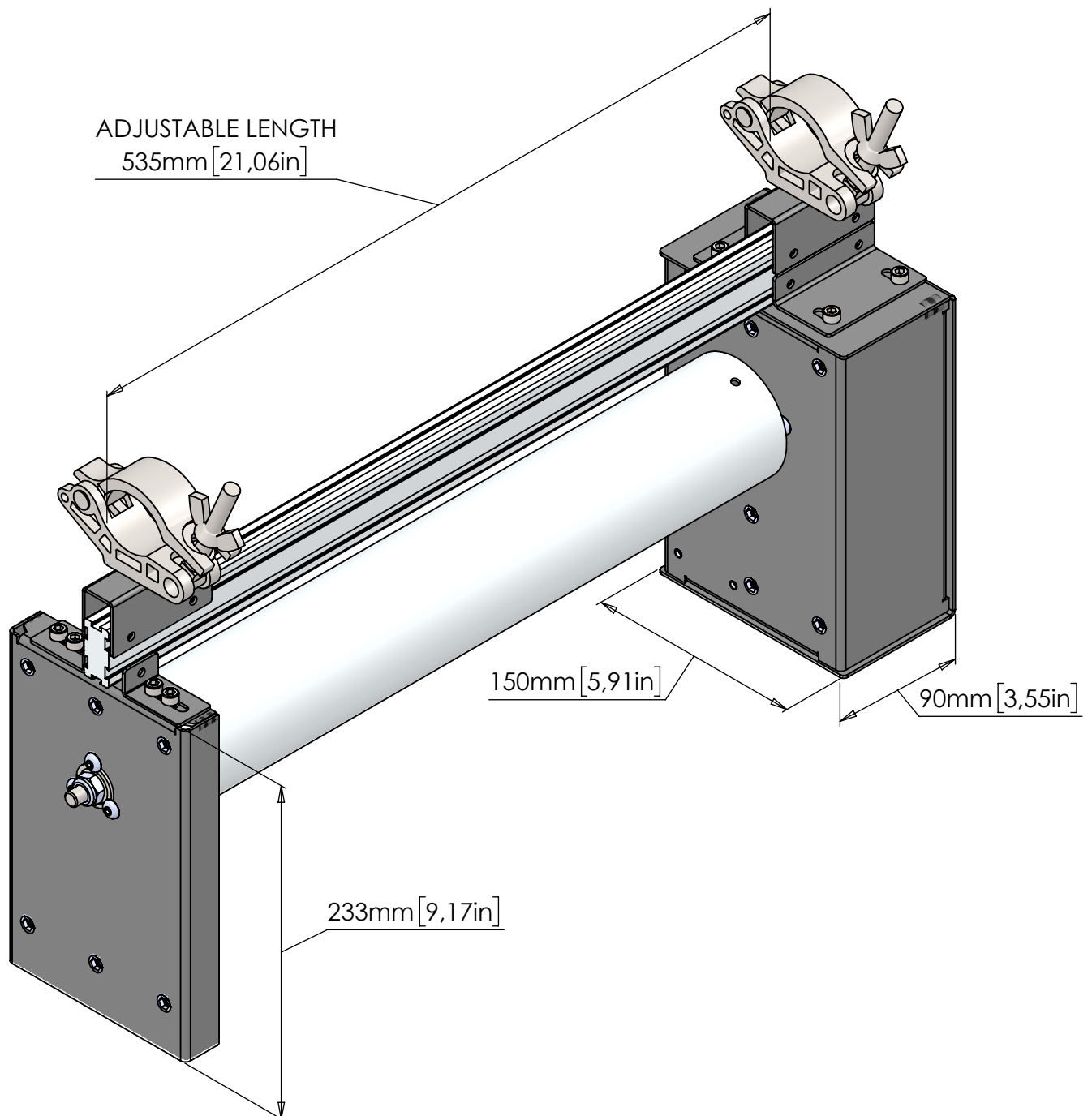


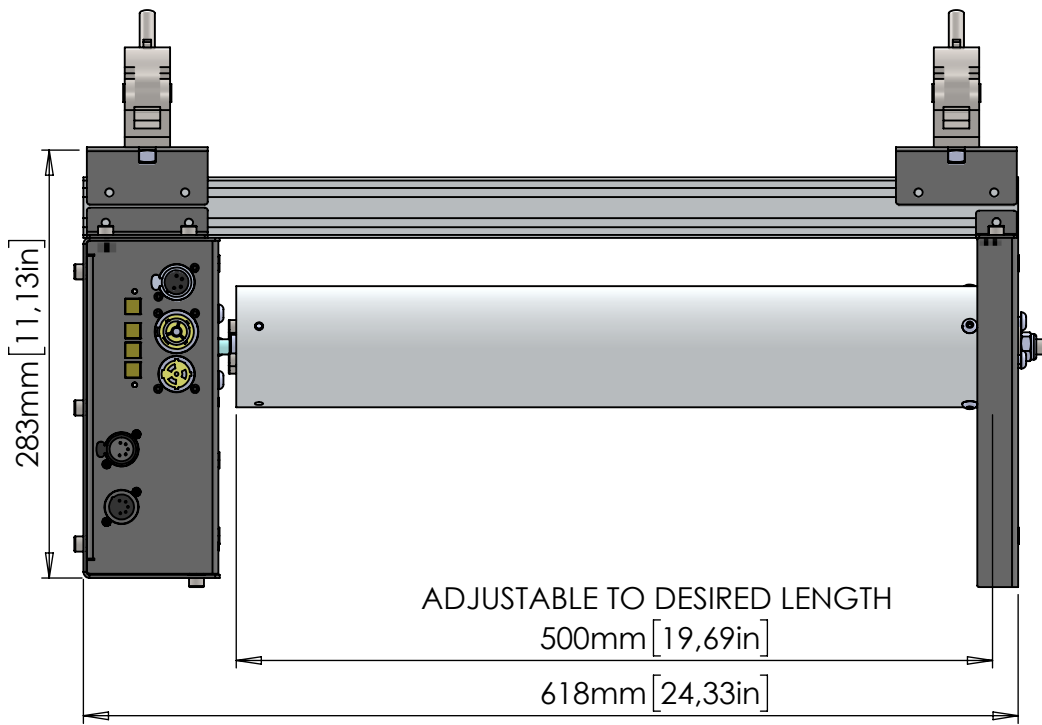
Mini Roll Down

TECHNICAL DATA

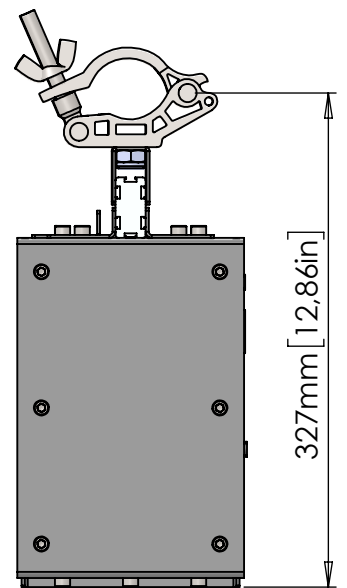
- Item No. :290
- Power Supply :100-240V AC 50-60Hz
- Power Consumption :Max 150 W
- Power Plug :Powercon NAC3PX
- Control Signal :DMX 512
- DMX Channels :6 channels.
- DMX Plug :XLR 5pole Male & Female
- Lifting Capacity :7 Kg. (15.4 lbs)
- Lifting Speed :2.5-26 cm/s. (1-10.2 in/s)
- Lifting Height :Adjustable 0.5-20 m
- Mounting Clamp :Slim eye coupler
- Weight :7.5 kg (16.5lbs)
- Noise emission :~55 dB



FRONT VIEW



SIDE VIEW



TOP VIEW

