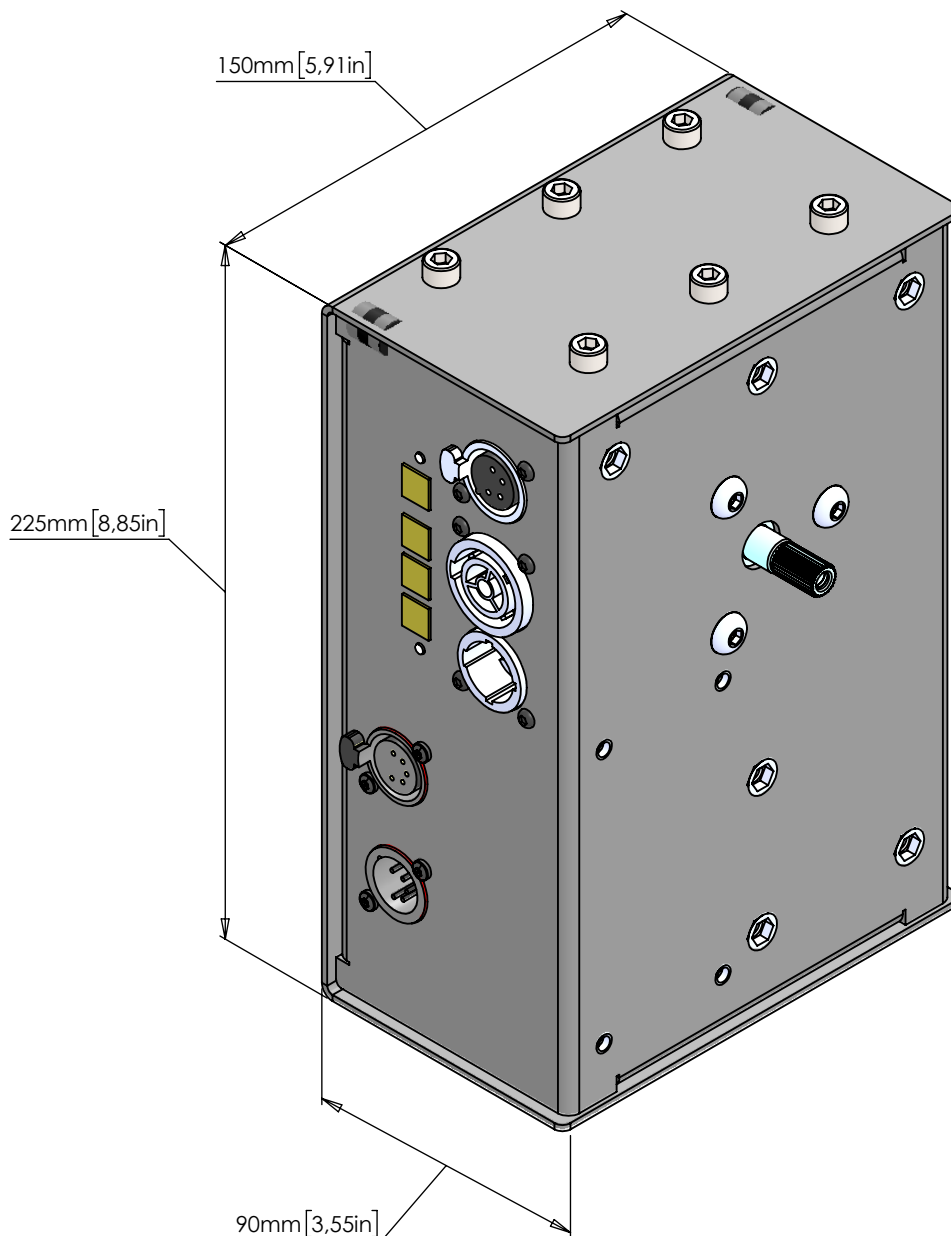


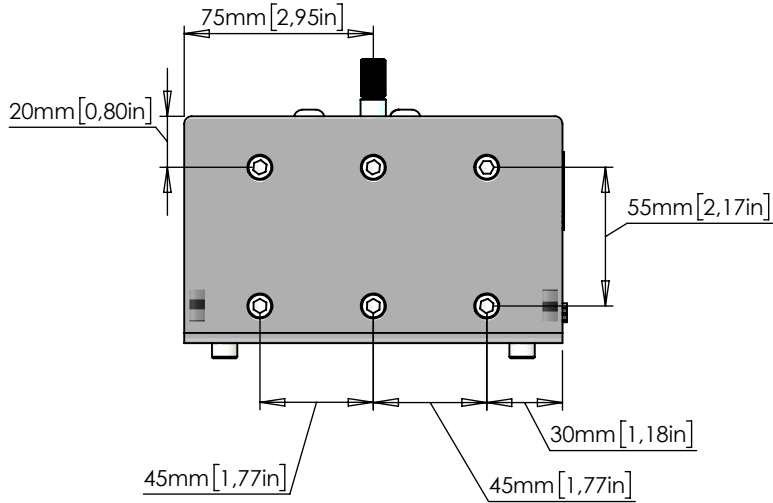
Motor Unit - W5 motor

TECHNICAL DATA

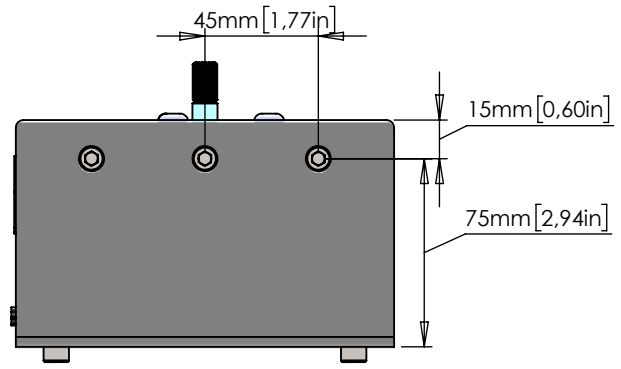
- Item No. :290.102
- Power Supply :210-240 V AC 50-60Hz
- Power Plug :Powercon NAC3PX
- Control Signal :DMX 512
- DMX Channels :6 channels.
- DMX Plug :XLR 5pole, In & Link
- Max Torque :2 Nm
- Speed :160 RPM
- -Drive shaft
 - Max. Radial Load :80N ~ 8 kg (17.6 lbs)
 - Max. Axial Load :15N ~ 1.5 kg (3.3 lbs)



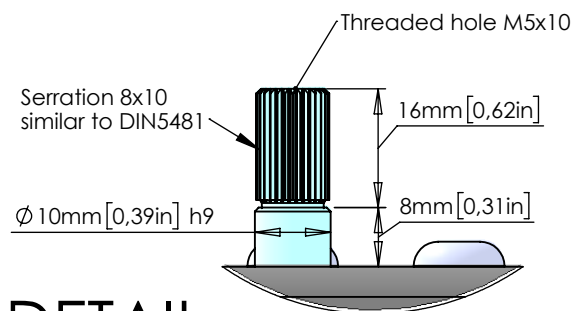
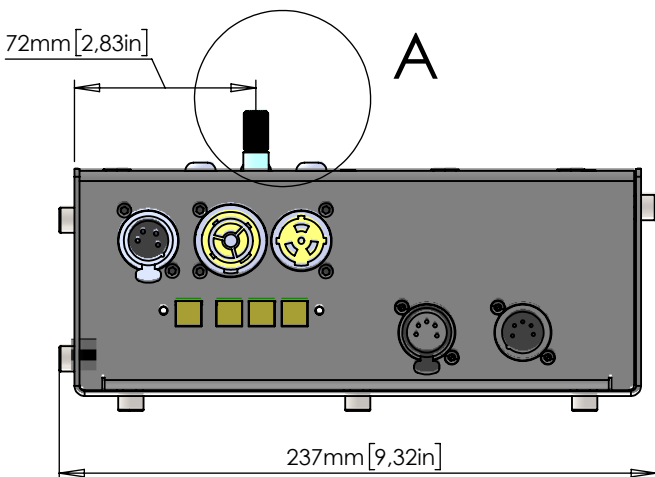
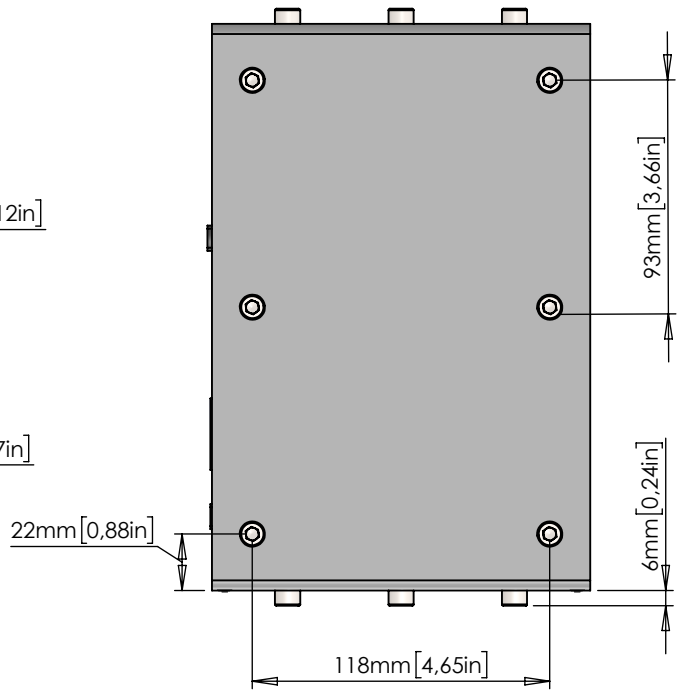
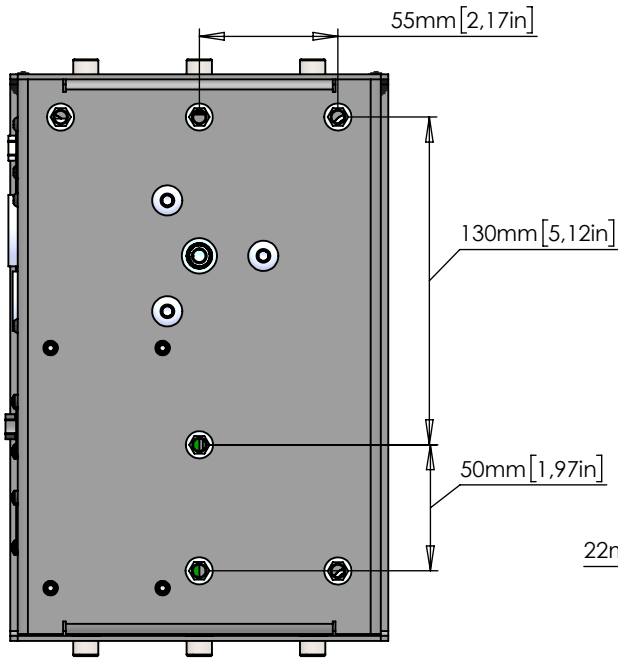
TOP VIEW



BOTTOM VIEW



SIDEVIEWS



DETAIL A
SCALE 1 : 1