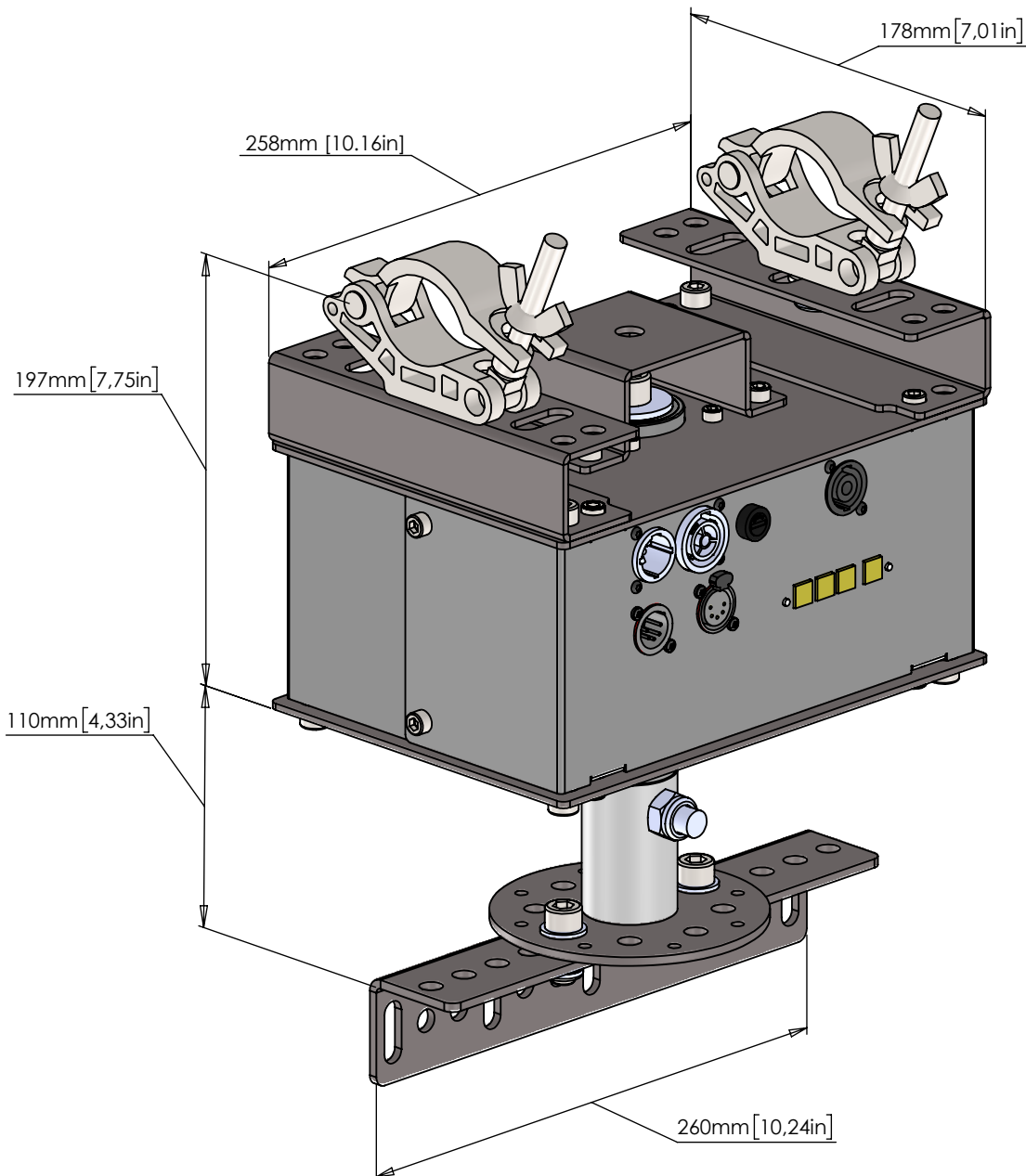


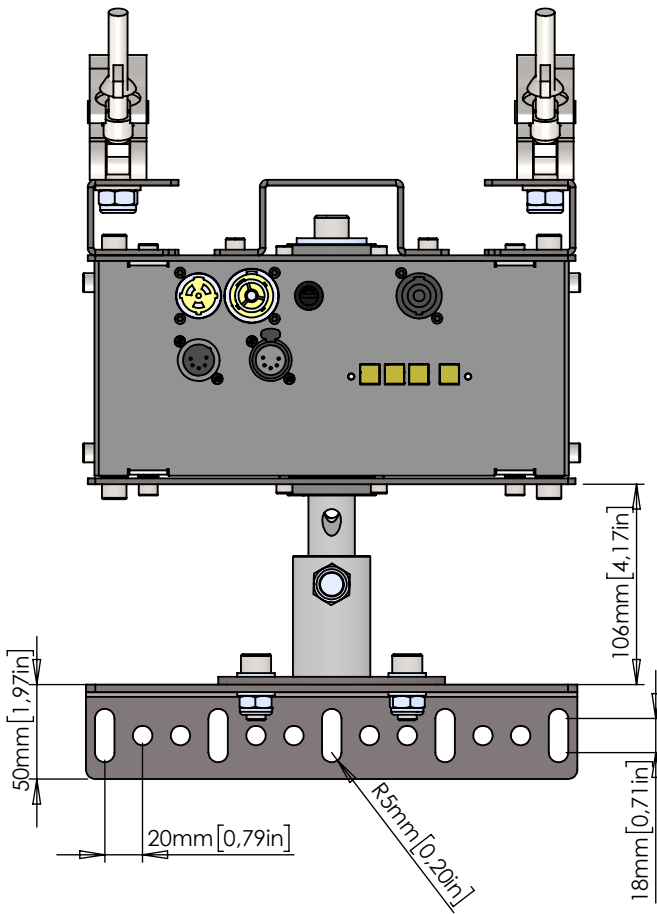
Rotator

TECHNICAL DATA

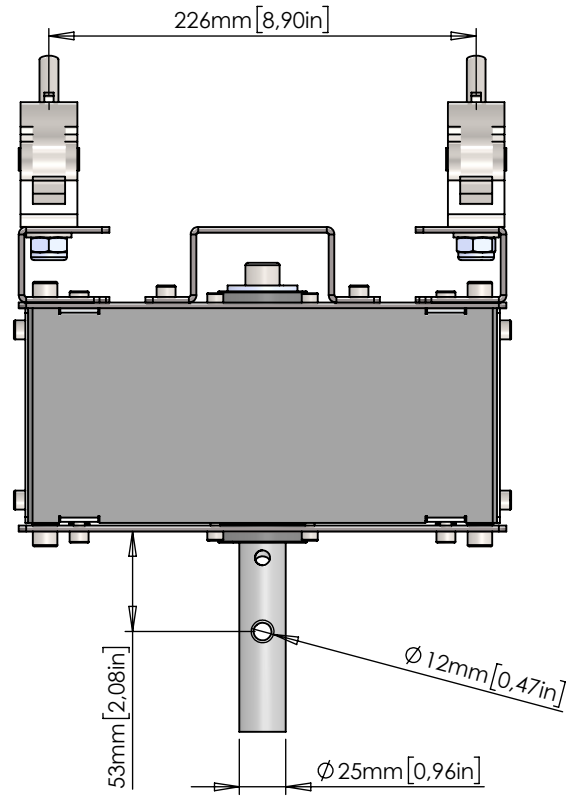
- Item No. :281
- Power Supply :100-240 V AC 50-60Hz
- Power Consumption :Max 150 W
- Power Plug :Powercon NAC3PX
- Control Signal :DMX 512
- DMX Channels :6 channels.
- DMX Plug :XLR 5pole, In & Link
- Max Load :150kg, 330lbs.
- Max Speed : 6.8rpm
- Min Speed : 0.15rpm
- Noise emmision :~50dB
- Weight :11.8kg, 26lbs
- Mounting Clamp :Slim eye coupler



FRONT VIEW



BACK VIEW



SIDEVIEW

